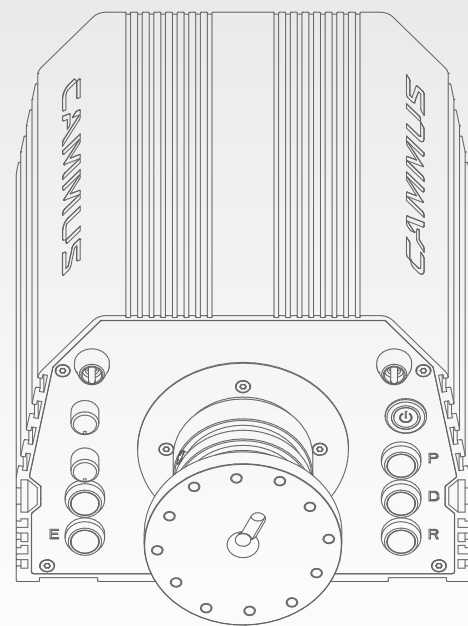


CAMMUS DDWB 2021
Base Manual



CAMMUS

Founded in 2008, Cammus with "high-tech, high-precision, high-quality, high-quality" brand services, based on the auto parts market, it has become a benchmark enterprise in the auto after-sales industry. Cammus is a high-tech innovative industry integrating the R&D, manufacturing, sales and high-end services of electric supercar, electric kart, racing simulator, go-kart simulator, high-performance components, and insists on the outstanding charm of interpreting racing culture.

In 2014, Cammus started super-car project, now it has successfully created the first self-developed electric super car TITAN in China, it needs only 3.9s to accelerate from 0 to 100km/h, the maximum speed is 260km/h, up to 400km mileage. In Feb, 2016, Cammus supercar Titan was successfully released in ShenZhen exhibition, which caused quite a sensation in China's motor-dom.

In 2016, adopting the core mystery of leading three-electric technology inherited from TITAN, Cammus set up the all-electric go-kart project. A story of feelings has arrived quietly fifth generation.

In 2021, racing simulators and kart simulators were launched successively, and they have received various praises and affirmations from the industry.

Precautions



In order for you to use the CAMMUS DDWB 2021 base more conveniently and quickly, please read this instruction manual carefully before installation and use, it contains important product and safety information; please keep this manual for future reference.

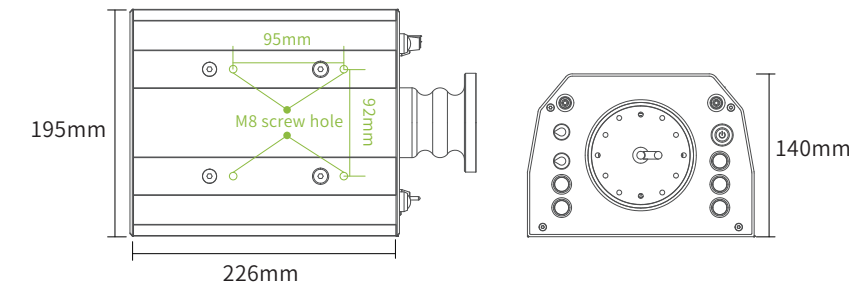
- Before turning on the power switch, please make sure that the relevant power cord is connected to the DDWB base. It is forbidden to plug and unplug the power connector at the base end when the power is on, otherwise the base may be damaged.
- The internal self-check function will be enabled when the device is turned on, and the steering wheel will rotate by itself. When the device is in a self-check condition, please do not touch or rotate the steering wheel.

- It is strictly forbidden to place the equipment and power supply in a humid or rainy environment to avoid the danger of short circuit/electric shock which may lead to equipment damage, fire and shock.
- When playing force feedback games, it is recommended that the game time is 60 minutes, with a 5-minute break every 20 minutes, and the playing time should not exceed 120 minutes.
- When the user uses it for the first time, please use it in accordance with the steps in the [Instructions for use].
- If the feedback force is too large to control when entering the game, please stop the game immediately and make adjustments in time.
- This product is not suitable for use by teenagers or children under the age of 16 alone. Parents or guardians must supervise and debug appropriate force feedback data by their side, and use the equipment under supervision.
- The base contains components that cannot be repaired by the user. Opening the base shell will invalidate the warranty!

Electricity Safety

- The base must be connected with the factory-equipped power supply accessories to protect the rights of electrical equipment and users.
- Only connect the adapter power supply and power cord
- Real-time power supply related voltage and other data match, and the use of non-standard power supplies is also prohibited
- Only use the AC power provided by the standard power socket to avoid damage to the equipment
- Do not expose the DDWB base to a heat source.
- In order to protect the rights and interests of the equipment and users, parts replacement can only be issued or repaired by an official authorized repair center.
- In the case of storms or thunder and lightning or long-term non-use, please unplug the power cord of the base to cut off the power.
- If you find any abnormalities, please stop using it immediately and seek help from the CAMMUS official or relevant authorized center.

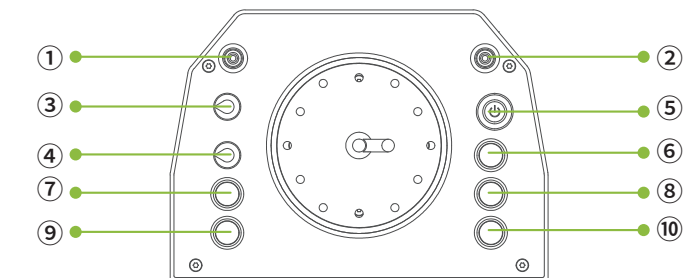
Specifications



Shell: Aluminum Alloy

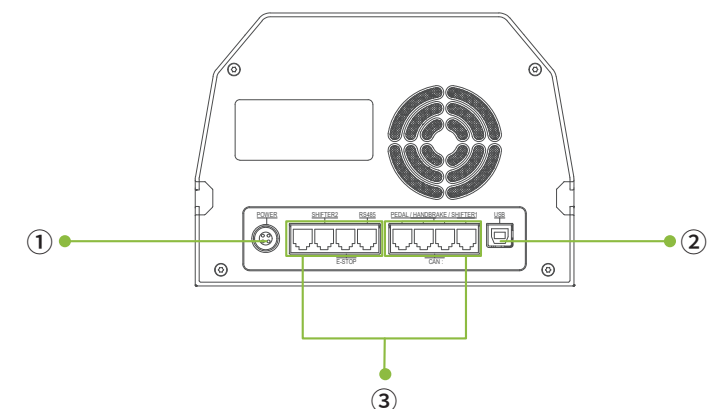
Panel: Aluminum Alloy

Size (length * width * height): 226mm*195mm*140mm



- ①② Two levers
- ③④ Two knobs
- ⑤ is the switch key
- ⑥⑦⑧⑨⑩ are five buttons

Note: There is no preset function for the function keys, please customize the function in the game before using.

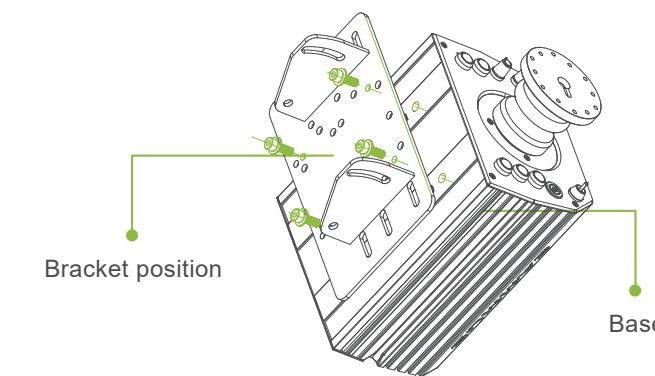


- Interface 1 Power interface: It is strictly forbidden to unplug and plug when power is on.
- Interface 2 USB-B interface: use the factory-equipped USB-B data cable to connect to the PC.
- Interface 3 LAN interface: used to connect the CAMMUS brand steering wheel, pedal and other products.

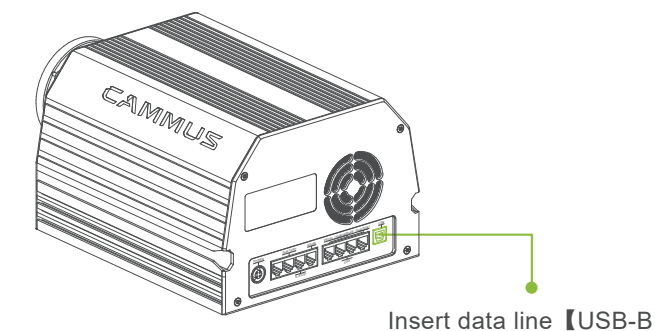
Auxiliary fixing groove on both sides: used to fix this product on the two sides fixing bracket of other brands.

Instructions for use

Base connection bracket: Place the base in a suitable position (4 M6 screw hole at the bottom are visible), and use a hex screwdriver to screw in the screws to fix it.



Connect the base to the computer: insert one end of the data cable [USB-B] into the base socket, and the other end into the CAMMUS DDWB 2021 base.



Packing list

CAMMUS DDWB 2021 base	X 1
Base power	X 1
USB-B data cable	X 1
Installation screw pack	X 1
Warranty card	X 1

Firmware Installation update

Hardware installation

In order to better understand the product, user can scan the qr code below to check the installation tutorial, and install the CAMMUS DDWB 2021 base in combination according to the video instructions.



Installation video

Adaptation equipment

The base of CAMMUS DDWB 2021 is designed to adapt to steering wheels of other brands. It has designed a comprehensive steering wheel fixing hole position. By fixing the steering wheel base to the base according to different positions, the function of adapting to common brand steering wheels on the market is realized.

Firmware update

To ensure the best user experience, please update your firmware to the latest version.

Users can update the firmware in the following ways:

- Users can enter the corresponding official website [URL, QR code] to download according to the instructions.
- Contact customer service to the designated sales outlets and channels of CAMMUS to get the download file: +8618826506628



Website

Controlling software

[CAMMUS] is a control app for parameter adjustment and equipment management of the [CAMMUS DDWB 2021] base. Using [CAMMUS] you can perform the following operations.

- Adjust parameters;
- Preset the parameters;
- Recommendation of parameters for different models;
- Equipment management.

Install the control software

When connecting to the [CAMMUS DDWB 2021] base, [CAMMUS] is required. When it is already installed, please update to the latest version. For details of [CAMMUS], please refer to the following video.



APP Using the tutorial

Users can obtain the control software [CAMMUS] in the following ways:

- Users can enter the corresponding support page to download according to the instructions.
- Contact customer service to the designated sales outlets and channels of CAMMUS to obtain download files. +8618826506628



Website

Warranty description

This product has a warranty period of 1 years. With the product warranty card and the valid invoice for the purchase of the product or/and other valid vouchers specified, the user can within the valid time Enjoy the warranty service. In order for you to enjoy the warranty support of CAMMUS, please do not cause damage to the machine artificially, and do not perform any abnormal use of the machine or system without the guidance of the official or officially authorized personnel.

Service regulations

1. If the warranty card is lost, it will not be reissued, please keep it in a safe place, and show it when you need repair services;
2. The warranty card shall not bear any other liability, including but not limited to any liability in the case of occasional or consequential damage or loss of expected benefits or profits, work suspension or damage caused by the use or inability to use the product, etc;
3. The parts replaced in the maintenance service will not be returned to the user;
4. The calculation method for the validity period of the maintenance service shall be based on the date of purchase;
5. If there is any discrepancy between the content recorded in the warranty card and the relevant national laws and regulations, the relevant national laws and regulations shall prevail.

Circumstances where warranty service is not implemented:

1. Cannot produce valid invoices or/and other valid certificates and warranty cards stipulated in the warranty; (except for those that can prove that the product is within the validity period of the warranty according to the three guarantees)
2. The warranty card has traces of alteration or the recorded product information is inconsistent with the actual product;
3. The barcode on the product is damaged or has traces of alteration;
4. Natural consumption, wear and aging of consumable materials;
5. Faults caused by lightning strikes or other electrical system reasons;
6. Failures caused by force majeure factors such as accidents, disasters, and wars;
7. Damaged due to user behavior (self-modification, repair, or disassembly, modification, maintenance, etc., by a third party not authorized by CAMMUS);

8. Product fault which is caused by the peripheral device of the third party used with products and software malfunction of accessories; the use failure of the third-party software that is not pre-installed on the product and the product failure;
9. It is used when the product description does not clearly declare that the product is compatible with the product and fails or is damaged;
10. Failure due to improper use or storage due to liquid, damp, squeezed by external force, falling, etc.;
11. Use pirated software or infect a virus during use and cause malfunction;
12. Exceeding the warranty period;
13. Having any fault caused by not following product usage, maintenance or storage instructions.;
14. Products that are not distributed by CAMMUS.

Supplement

- * People who use or experience your device for the first time must be guided by the owner of the device.
- * Loose clothing such as hair, cables, skirts, or other tangled objects should be kept away from the simulator.
- * Users use this product for simulated game activities. It is recommended that you do not drive within 30 minutes of playing the game.
- * This instruction manual is only used as a general instruction manual for a single product (including different styles of a single product). The products demonstrated in this manual are only used as product instructions and not for sales instructions. The specific styles of products are subject to the purchase by the user.

This manual is subject to update without notice. You can check the latest version of the "User Manual" and other information on the CAMMUS official website and official information release platform. www.cammus.com

If you have any questions or suggestions about this instruction manual and the entire series of CAMMUS products, please contact us through information channels.

Thank you again for your support to CAMMUS