

LC100 Pedal User's Manual



Company Profile

CAMMUS was established in 2008, with high-tech, precisely manufactured, quality products and service. CAMMUS started in the auto parts market and is a benchmark enterprise in the industry. The company brings together electric supercars, pure electric karts, The high-tech innovative racing simulators, kart simulators, R&D, manufacturing, sales and high-end services of high-performance components. In 2014, China's first electric supercar "TITAN" was built. It has an impressive 0-60 acceleration of 3.9s, maximum speed of 260km/h, and cruising range of 400km. In 2016 CAMMUS created China's leading pure electric go-kart and has since progressed to the fifth generation. In 2021, the sim racing and kart simulators launched and have gained a lot of attention and praise in the market.

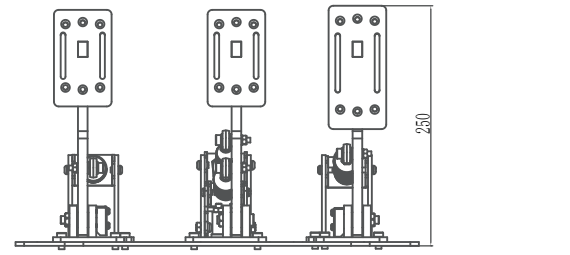
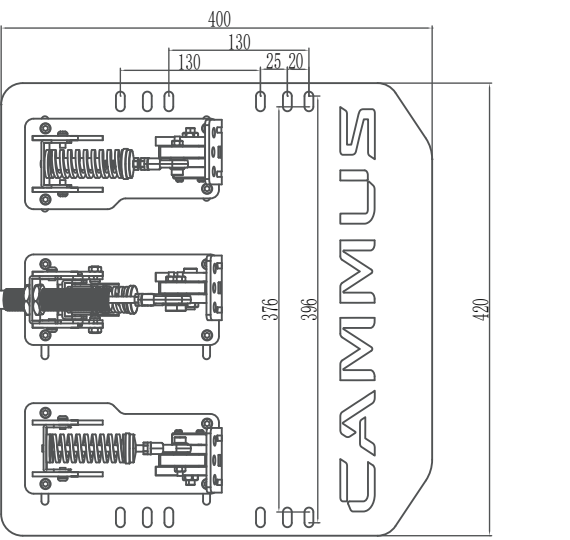
Precautions



In order to use the LC100 pedal properly, please be sure to read this instruction manual carefully before installation and use. It contains important product and safety information; please keep this manual for future reference.

- DO NOT place the device and power supply in a humid or rainy environment to avoid the risk of short circuit/electric shock leading to device damage, fire, and shock.
- This equipment may require the use of lubricants, if you feel unwanted resistance and/or sound.
- The recommended gametime is 1 hour, with a 5-minute break every 20 minutes, we recommend a maximum of 2 hours playtime.
- If the feedback is too strong to control when entering the game, please stop the game immediately and adjust in time.
- This product is not suitable for juveniles or children under the age of 16 without adult supervision.

Dimension overview



Basic Data

Length, width and height	400*420*250
Total weight	10.5Kg
Sensor form	Hall + pressure
Pedal material	cold rolled steel

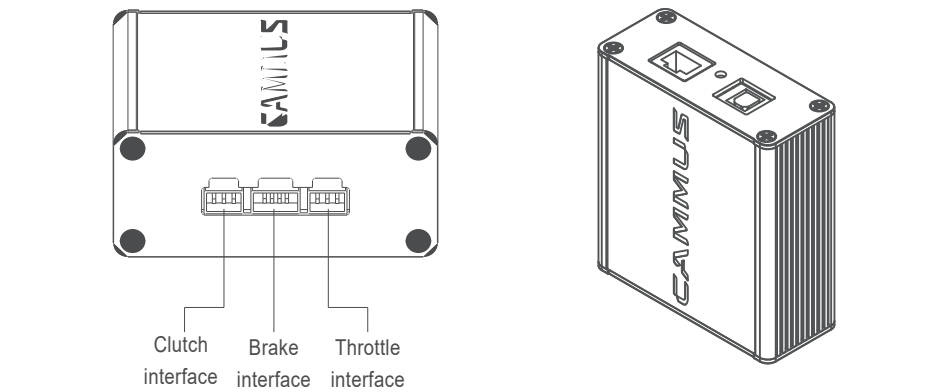
Support PC mainstream racing games

Requirements (PC): Windows@ 7 - 10; 150 MB free hard disk space and USB 2.0 port.

Instructions for use

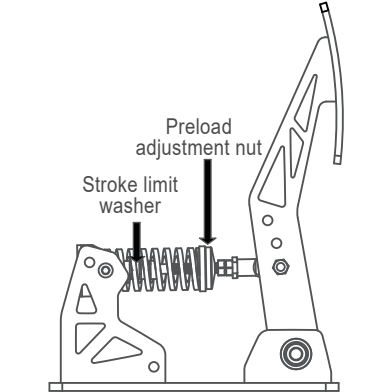
Control box interface details

For interface details, please refer to the drawing description. The positive and negative connection of the clutch pedal and the accelerator pedal will not affect the use, but in the display in the CAMMUS APP will be the opposite;



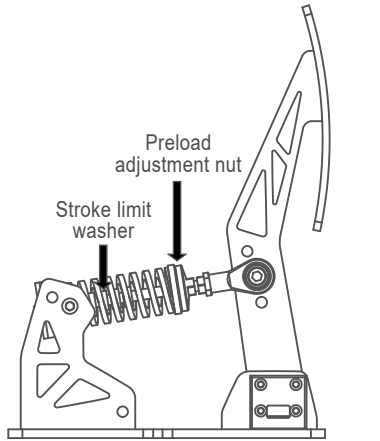
Clutch Pedal

- Foot feel, travel adjustment operation:**
- Pedal feel adjustment:** Rotate the pre-tightening force adjustment nut, move it back and forth to adjust the spring pre-compression amount (tighten the ordinary nut to lock and prevent loosening after adjustment).
 - Stroke increase or decrease:** Disassemble and assemble the spring guide rod, increase or decrease the number of limit washers inside the spring.



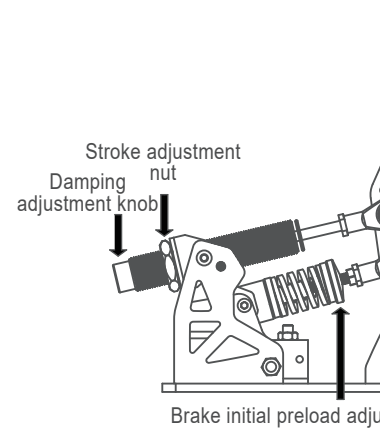
Accelerator

- Stroke and foot feel adjustment operation:**
- Pedal feel adjustment—rotate the pretightening force adjustment nut, and move it back and forth to adjust the spring precompression amount (after the adjustment, the ordinary nut should be tightened to lock and prevent loosening).
 - Stroke increase or decrease - disassemble and assemble the spring guide rod, increase or decrease the number of limit washers inside the spring.



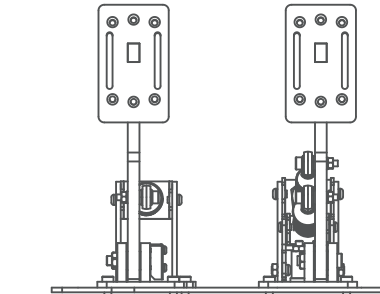
brake pedal

- Stroke and foot feel adjustment operation:**
- Pedal feel adjustment:** Turn the damping adjustment knob to change different damping gears, performance: the foot feel is greatly increased or lightened, it is recommended to be within 2 gears.
 - Detailed foot feel adjustment:** Adjust the spring preload, and increase or decrease the number of travel limit washers, performance: the smoothness of the braking segmental change, and the segmental feeling of the front heavy and the rear light is prominent. Implementation details such as replacing rubber blocks with different hardness will be adjusted accordingly. (Note: It will affect the non-linearity of brake pedal signal output)
 - Stroke increase or decrease:** Adjust the compression amount of the hydraulic rod (without affecting the foot feel during use), that is, just rotate the inner and outer stroke adjustment nuts.



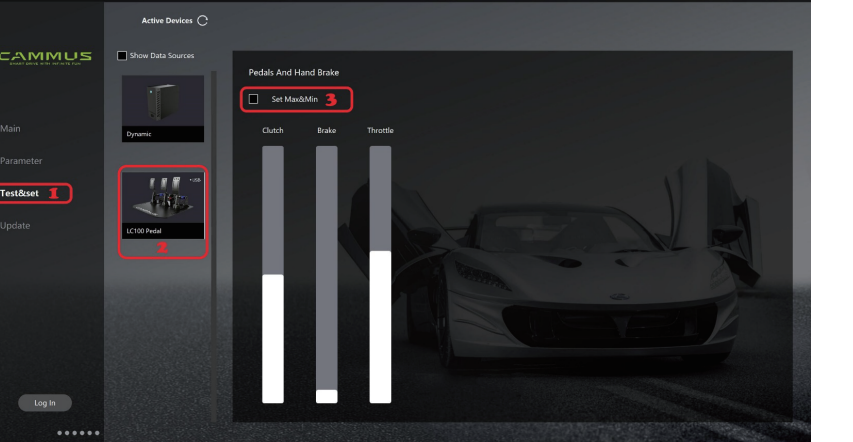
Install the three pedals to the base plate:

Adjust the three pedals left and right to the appropriate position, and tighten the screws, and connect the control box to the computer via usb and log into the APP to set the basic data of the pedals.

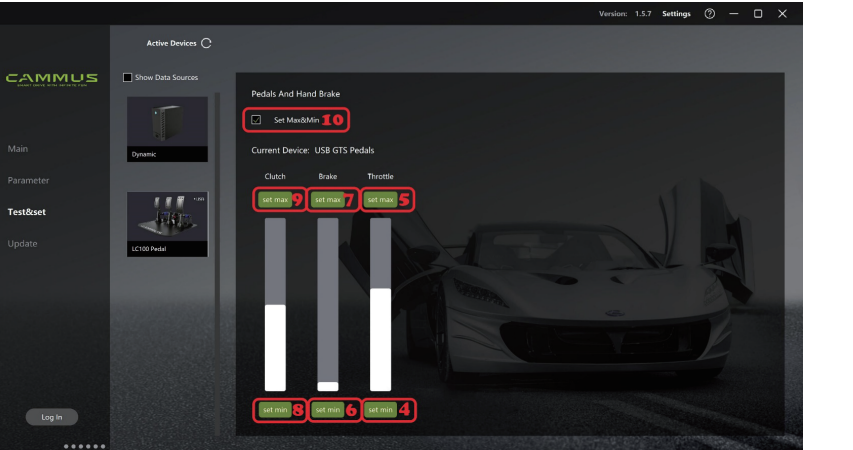


Initialization settings

- After assembling the pedals, enter the APP initialization interface to set the pedals.
- Enter the test & setting interface.
 - Click on the LC100 pedals,
 - Check to set the maximum and minimum values.



- (Accelerator pedal position initial position) Click to set the minimum value.
- (Depress the accelerator pedal at full scale) Click the maximum value to complete the accelerator pedal setting.
- (Brake pedal position initial position) Click to set the minimum value.
- (Depress the brake pedal at full scale) Click the maximum value to complete the brake pedal setting.
- (Start position of clutch pedal position) Click to set the minimum value.
- (Depress the clutch pedal at full scale) Click the maximum value to complete the clutch pedal setting.
- Exit the maximum and minimum setting. Return to the display interface to confirm whether the pedal travel progress bar is correct, and if there is a deviation, fine-tune it according to the actual situation.



packing list

Brake pedal	*1
Accelerator pedal	*1
Clutch pedal	*1
Control box	*1
Pedal base plate	*1
USB-B data cable	*1
pedal harness	*2
Mounting Hardware	*1
Warranty Card	*1

Warranty

The warranty period of this product is 1 year, except Europe 2 years. With the product warranty card, valid invoices for purchasing products or/and other valid certificates specified, users can Enjoy warranty service. In order for you to enjoy the warranty support of CAMMUS, please do not intentionally damage the machine.

Service Regulations

- If the warranty card is lost, it will not be reissued, please keep it and have it readily available if repair are needed.
- The warranty card does not assume other responsibilities, including but not limited to incidental or consequential damages, any liability in case of damage or loss of expected benefits or profits, stoppage of work or damage due to the use or inability to use the product;
- The parts replaced in the maintenance service will not be returned to the user;
- The calculation method of the validity period of the maintenance service is based on the date of purchase;
- If there is any discrepancy between the content recorded in the warranty card and the relevant national laws and regulations, the relevant national laws and regulations shall prevail.

Cases where warranty service is not performed

- Failing to produce valid invoices or/and other valid certificates and warranty cards stipulated in the warranty; (Except for those that can prove that the product is within the validity period of the warranty according to the Three Guarantees regulations)
- The warranty card has traces of alteration or the product information recorded does not match the actual product;
- The barcode on the product is damaged or has traces of alteration;
- Natural wear and tear of materials;
- Failure caused by lightning or other electrical system reasons;
- Failure caused by force majeure factors such as accidents, disasters, wars;
- Due to user behavior (refitting, repairing, or dismantling by a third party not authorized by CAMMUS, modified, repaired, etc.) and damaged;
- Software failures of peripherals or accessories used with the product that are not configured by the product itself and their cause product failure;
- Failure to use third-party software that is not preinstalled on the product and cause product failure;
- Faulty or damaged products that are not clearly stated in the product description to be compatible with the product;
- Failure caused by improper use or storage such as liquid ingress, dampness, external extrusion, drop, etc.;
- Using pirated software or infecting with viruses during use causes malfunctions;
- Beyond the validity period of the warranty;
- Faults caused by failure to use, maintain and store according to the product instructions;
- Products not distributed by CAMMUS.

Supplementary Note

Persons using or experiencing your device for the first time must be instructed by the owner of the device.
*Loose clothing such as hair, cables, skirts, or other easily tangled objects should be kept away from the simulator.

*This instruction manual is only used as a general instruction manual for a single product (including different styles under a single product). The demo product in this manual is only used as a product description and not as a sales description. The specific model product is subject to the user's purchase.

This manual is subject to update without prior notice.
You can go to the CAMMUS official website www.cammus.com to view the latest documentation.

If you have any questions or suggestions about this instruction manual or any CAMMUS products, please contact us via social media or at www.cammus.com channels.

Thank you again for supporting CAMMUS!

